

# OpenScape Business

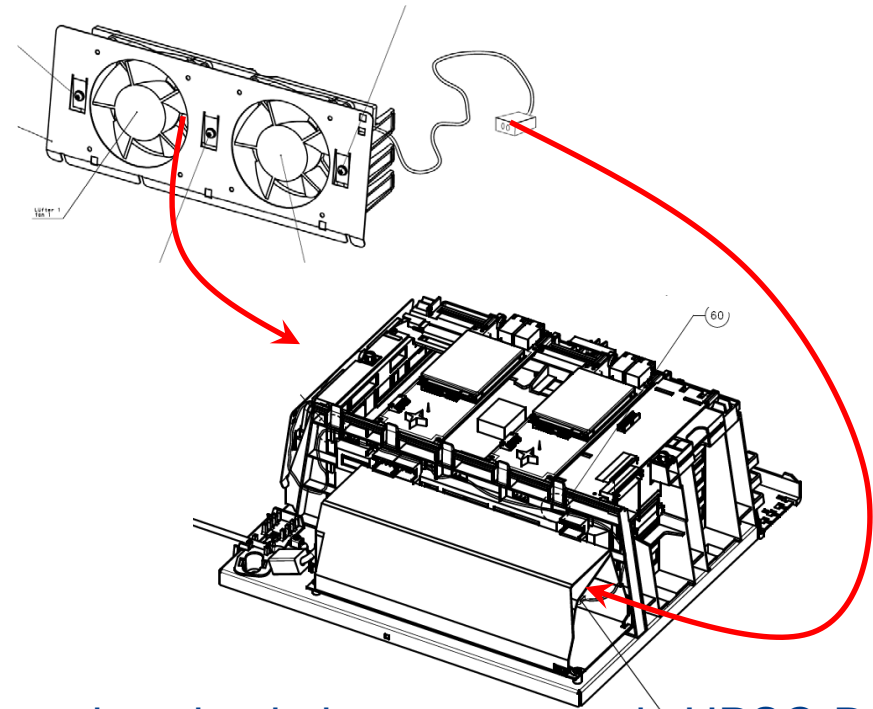
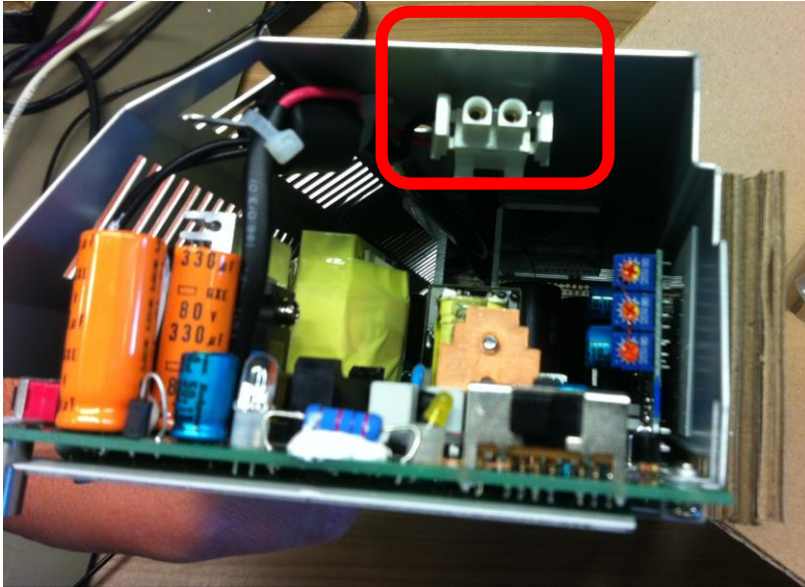
## New cover for X3W – X5W



- Ice blue with Unify logo
- When using an OCAB in X3W not only a fan kit will have to build in, but also the cover needs to be exchanged by a X5W model
  - Cover of X3 has no place for fan kit.
  - An adapter kit which consists out of 2 spacers needs to be ordered separately
- L30251-U600-A917 OSBiz X5W cap necessary for the use of OCAB
- L30251-U600-A918 Fan kit OSBiz X3W/X5W
- L30251-U600-A919 Adapter kit for OSBiz X3W

# OpenScape Business

## New cover for X3W – X5W



- In case you want to use an OCAB you need to check the power supply UPSC-D
  - UPSC-Older models will not have the connector needed to connect the fan kit. In case of upgrading H3K to OSBiz with OCAB you probably will also need a new UPSC-D (new system could be cheaper)
  - Newer models (since OSBiz) will already have this connector